

**GENERATE 2023**  
**Exhibitor Application Form**  
 June 12+13, 2023  
 Sheraton Vancouver Airport Hotel

Generate 2023 is organized by Clean Energy BC, with anticipated conference attendance in June 2023 of approximately 300 people. The tradeshow floor offers extensive networking opportunities among the clean energy industry's leading developers, operators, suppliers, industry professionals, as well as government agencies and indigenous communities.

**Preliminary Conference Agenda**

Day 1 – Monday, June 12

Full day plenary session  
 Networking Cocktail Reception

Day 2 – Tuesday, June 13

Full day plenary session

**Exhibit Hours**

Sunday, June 11	Set-up	*8:00pm - 10:00pm
Monday, June 12	Set-up	7:00am - 8:00am
Monday, June 12	Exhibit Hours	8:00am - 6:30pm
	Cocktail reception in tradeshow exhibit space	4:30pm - 6:30pm
Tuesday, June 13	Exhibit Hours	8:30am - 4:30pm
Tuesday, June 13	Tear down	4:30pm - 6pm

*\*Note: at least one exhibitor must be present in the booth at all times*

*\*Approx, subject to slight adjustment*

**Conference and Exhibit Location**

Sheraton Vancouver Airport Hotel  
 7551 Westminster Hwy, Richmond  
 Westminster Salon 1/2/3

**Exhibit Package**

Generate 2023 Exhibitor Package includes:

- Booth size 10' x 8'
- Booth framing, drapery, power, wireless internet, table 6' x 2', and 2 chairs
- Two exhibitor passes which includes full conference access

**Application deadline:** May 26, 2023. Full payment due upon registration in order to secure your space.

**Cancellation Requests:**

By May 26	100% refund
After May 26	No refund

**Fees** (all prices are in Canadian Dollars):

Clean Energy BC Member exhibitors: **\$2500** +gst for two days

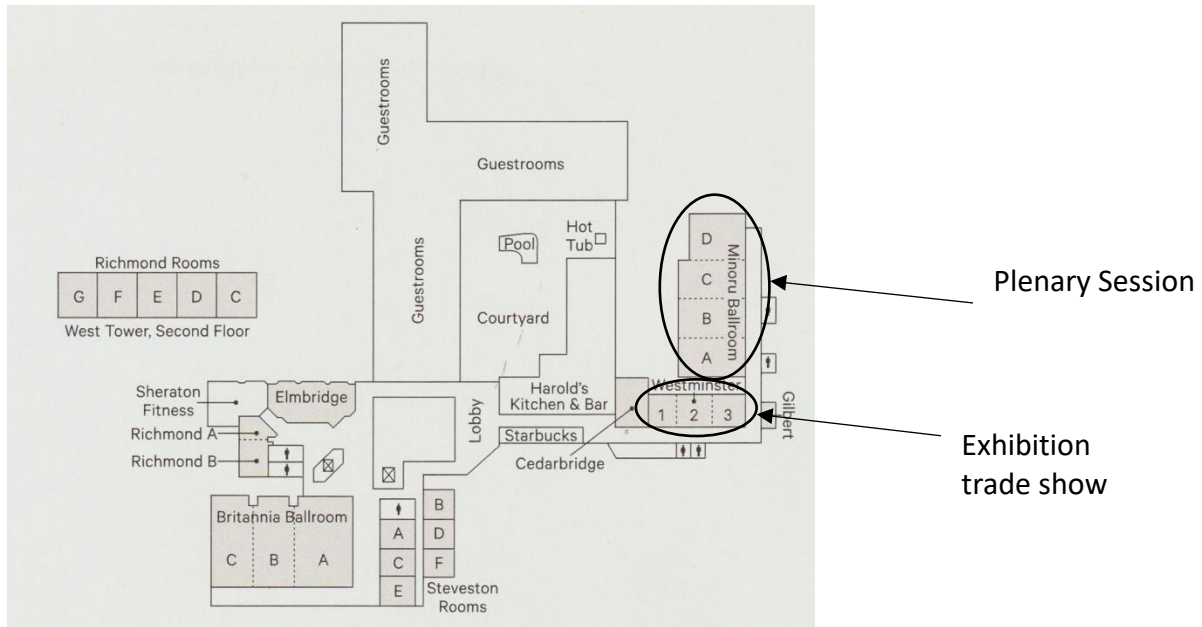
Non-member exhibitors: **\$3500** +gst for two days

# Preliminary conference floorplan

*\*subject to change*

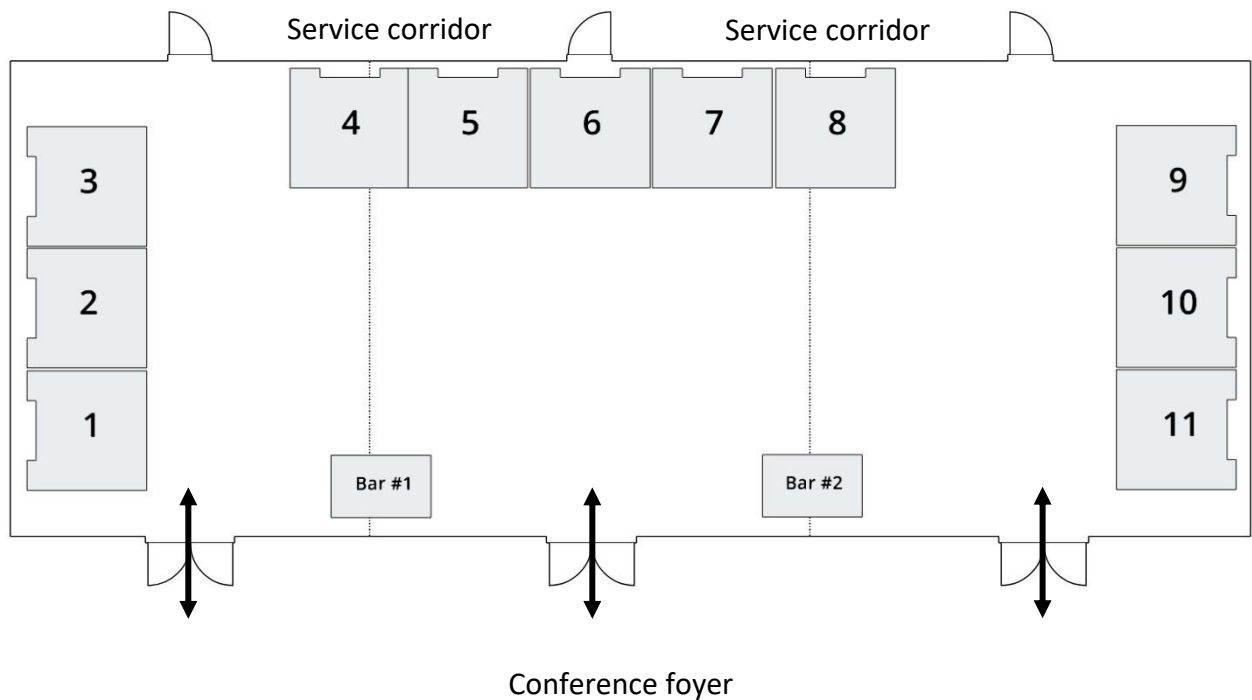
## Sheraton Vancouver Airport Hotel

Generate 2023 meeting space map



### Exhibition Tradeshow space

located in Westminster Salon 1/2/3



Company name:		
Address:		
City	Prov	Postal code
Primary contact:		
Wk ph:	Cell ph:	
Email:		
Website:		
Clean Energy BC (CEBC) Member?	<input type="checkbox"/> CEBC Member <input type="checkbox"/> Non-member	

<b>Social media</b>	
Twitter	Handle:
Instagram	Handle:
Linked-In	Handle:
Facebook	Handle:

<b>2 x Complimentary Conference passes</b>	
Input names to be printed on namebadges for 2 x complimentary conference passes	
Badge 1:	Name:
	Company:
	Phone:
	Email:
Badge 2:	Name:
	Company:
	Phone:
	Email:

	Exhibitor Booth Quantity	Total \$
Clean Energy BC Member	Number of booths _____ x \$2500 +5% gst	
Non-member	Number of booths _____ x \$3500 +5% gst	

Submit completed form to:  
Heather Fulcher [events@cleanenergybc.org](mailto:events@cleanenergybc.org) – Mobile 604-618-4829

Once the application has been approved, you will be sent an invoice for payment.